

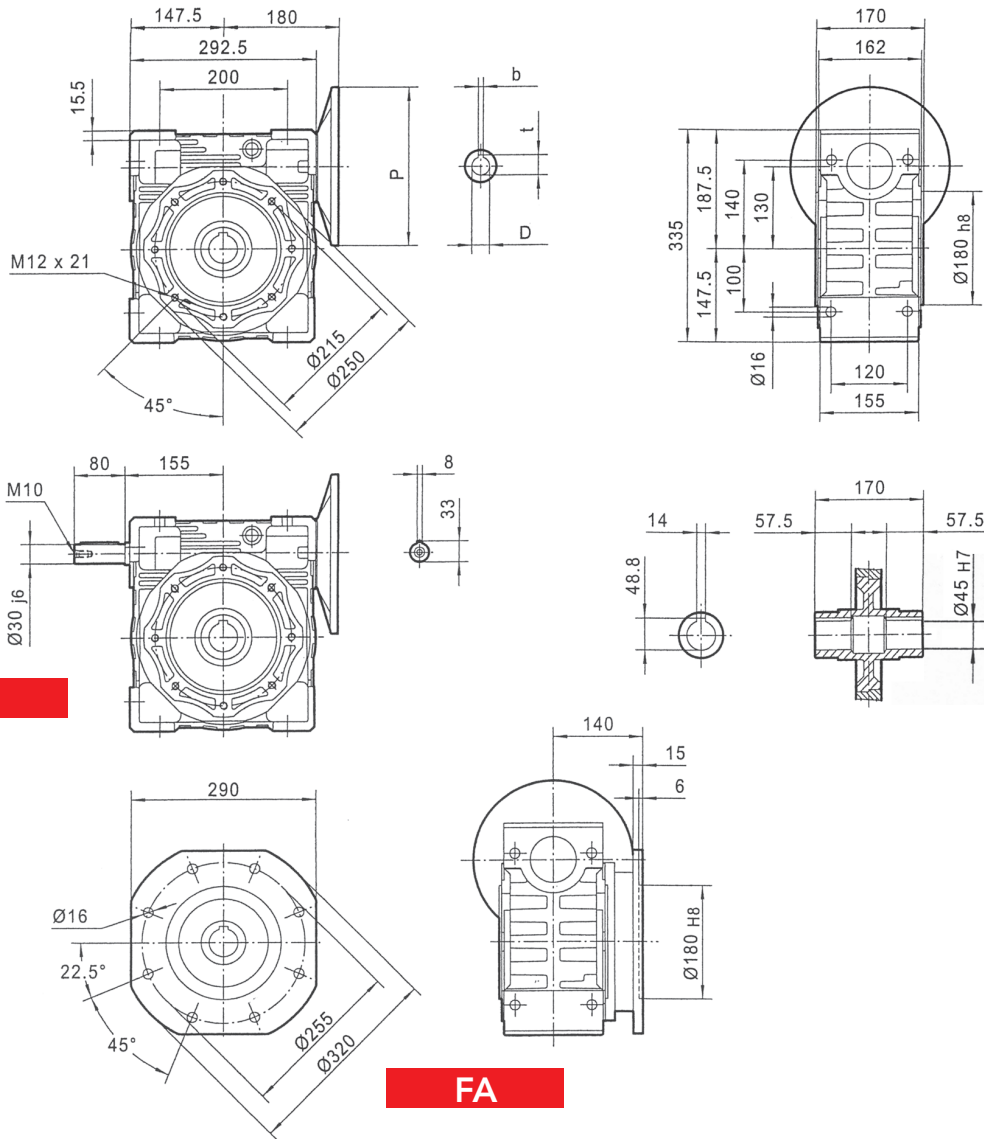


# CHM 130 - PERFORMANCE WITH 4-POLE MOTORS 1400 REVS. INPUT

TYPE	i=ratio	n2 r/min	Kw=P1	Nm=T2	f.s.	Possible types of motor connections	
CHM 130	7.5	186.7	7.50	348	2.2	132	B5/B14
	10	140.0	7.50	455	1.8	132	B5/B14
	15	93.3	7.50	660	1.2	132	B5/B14
	20	70.0	7.50	877	1.0	132	B5/B14
	25	56.0	7.50	1071	0.9	132	B5/B14
	30	46.7	7.50	1225	0.8	132/112/100	B5/B14
	40	35.0	5.50	1173	0.9	132/112/100	B5/B14
	50	28.0	4.00	1023	0.9	100	B5/B14
	60	23.3	3.00	886	1.1	100	B5/B14
	80	17.5	3.00	1112	0.8	100/90	B5/B14*
100	14.0	1.50	652	1.1	100/90	B5/B14*	

\* 90 only B5

## DIMENSIONS



PAM IEC	P	D <sub>E8</sub>	b	t	PAM IEC	P	D <sub>E8</sub>	b	t
132B5	300	38	10	41.3	132B14	200	38	10	41.3
112B5	250	28	8	31.3	112B14	160	28	8	31.3
100B5	250	28	8	31.3	100B14	160	28	8	31.3
90B5	200	24	8	27.3					

Weight 48 Kg excluding motor